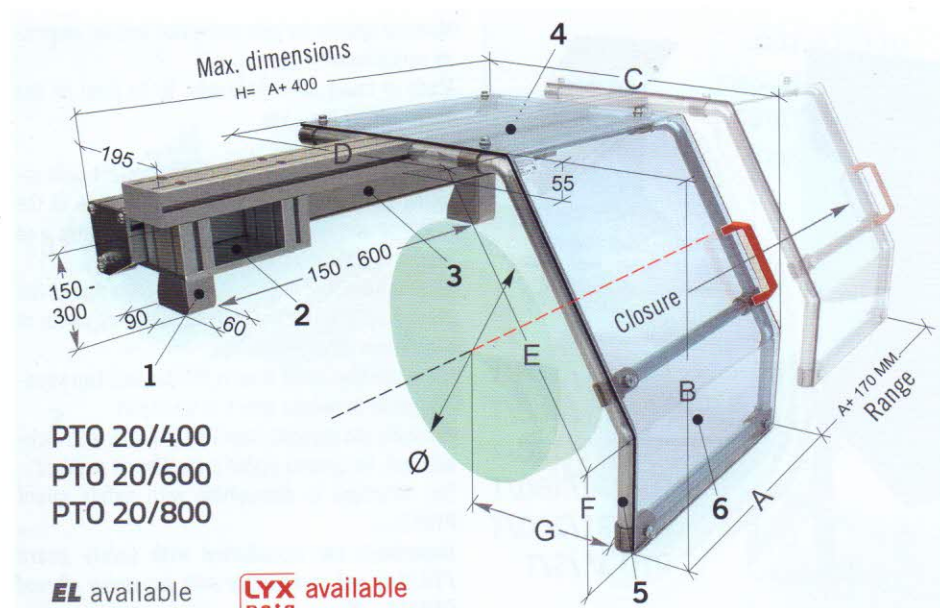


SLIDING SAFETY GUARD FOR LATHE



PTO 20/400
PTO 20/600
PTO 20/800

EL available **LYX** available

Particularly solid and functional item, designed for the secure protection of the operator from moving parts of the lathe. To be fixed on the machine head.

Protects the operator from direct contact with rotating components of the chuck and from the projection of shavings and lubricant-coolant. Attachable on the machine head, equipped with wide "visibility" sliding shield, with various adjustments for an easy adaptation to all machines. Available in three sizes, up to a Ø chuck of 800-900 mm. Complete with safety microswitch.

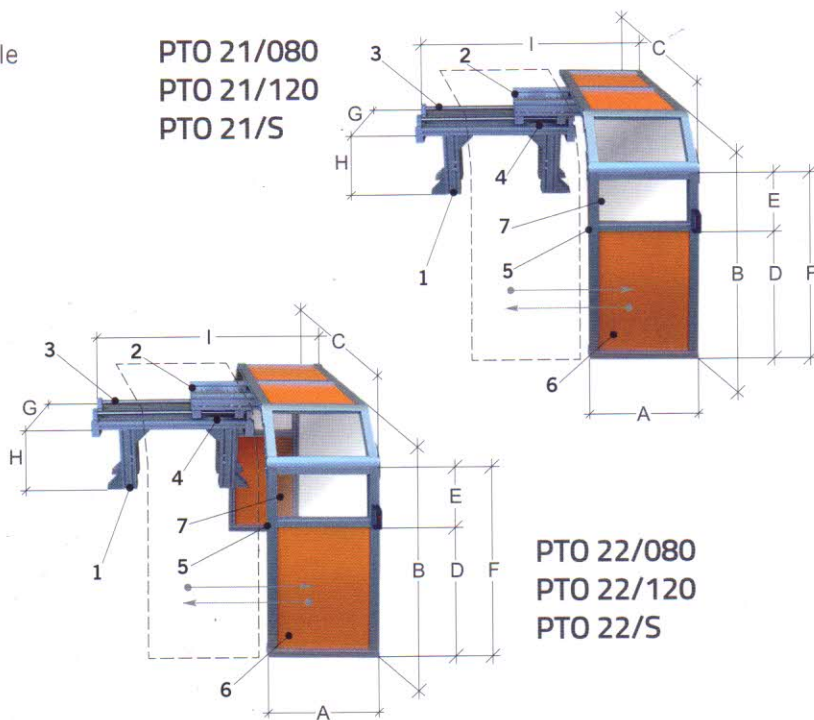
1. Anchorage stirrup with wide vertical adjustment
2. Sliding mobile protection support carriage
3. Auto-carrying guide – in extruded aluminium, with sliding system composed from tempered and rectified steel guides-bearings, placed in protected internal position
4. Safety microswitch with separated actuator – n. 2 NC contacts
5. Shield structure – in tubular steel and aluminium
6. Shield – in shockproof and oil-resistant plastic material, of great thickness

Code	Ø	A	B	C	D	E	F	G	Kg.
PTO 20/400	400-500	450	430	655	480	350	125	280-540	26.6
PTO 20/600	600-700	450	520	855	640	430	150	320-740	27.7
PTO 20/800	800-900	450	640	1065	800	530	180	370-950	28.8

SAFETY GUARD FOR BIG DIMENSION LATHE

EL available

PTO 21/080
PTO 21/120
PTO 21/S



PTO 22/080
PTO 22/120
PTO 22/S

Sliding shield for big dimension lathe, designed to be fixed on the machine head and on the ground, making the whole structure of the guard stable.

Protects the operator from direct frontal contact with rotating components of the chuck and from projection of shavings and lubricant-coolant. The main feature is the sliding shield included in a solid and light aluminium structure, equipped with four anchorage points on the machine head, allowing to keep the shield in a overhanging position.

In this case the shield is double to protect the front and the rear side of the machine.

The sliding shield has a wide visual manufactured with a special material, suitable to be used for safety guards.

Available in different sizes, up to a Ø chuck of 800-1200 mm. Complete with safety microswitch. The structure can be customized for much bigger chucks

1. Supporting structure with steel guides
2. Sliding carriage with bearings
3. Double steel guide for carriage sliding
4. Interlocked microswitch
5. Removable aluminium frame
6. Steel-sheet protection panel
7. Polycarbonate transparent protection shield

Codice		A	B	C	D	E	F	G	H	I	Kg.
PTO 21/080	PTO 21/080	550	1000	1000	518	282	800	300	390-590	930-1490	...
PTO 21/120	PTO 21/120	550	1500	1400	918	282	1200	300	390-590	930-1490	...
PTO 21/S	PTO 21/S