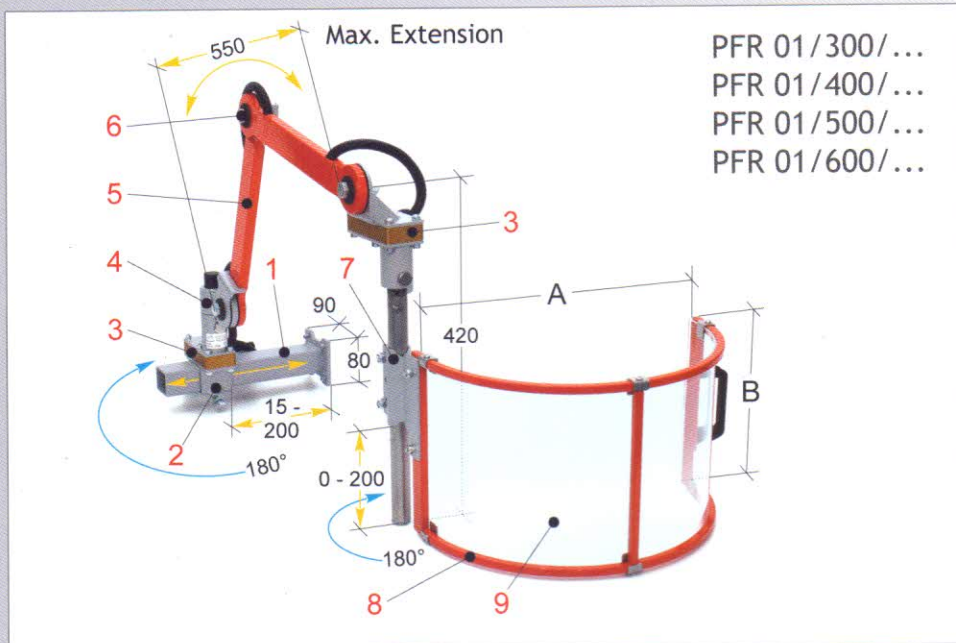


Adjustable safety guard for universal mills

MILLS



PFR 01/300/...
PFR 01/400/...
PFR 01/500/...
PFR 01/600/...

Classic universal safety guard with articulated arms. The rubbing articulations make it particularly versatile and able for immediate placement.

Protects the operator from direct contact with rotating parts of the vertical spindle and from the projection of shavings and lubricant-coolant. Attachable on the base flank, equipped with semi-circular shield with double opening system: 1 = shield openable horizontally on its axis. 2 = "swinging" total of the safety guard, outside the field of work. Complete with double safety microswitch.

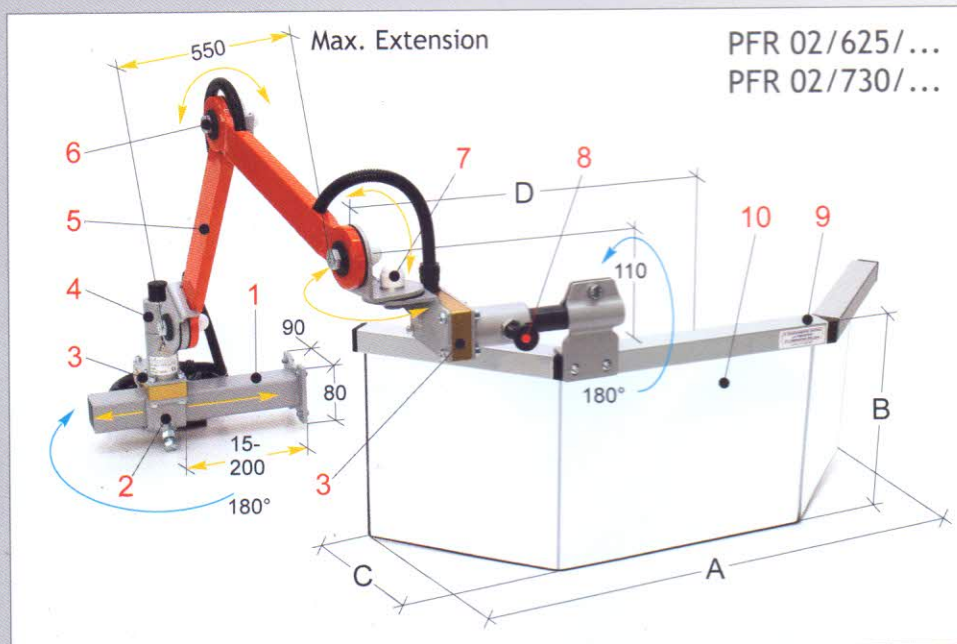
- **Note:** Specify the mounting side by adding the suffix: /DX = Right - /SX = Left
- **Available accessories:** PMG 60/185 - PBA 01/190 - PBA 01/325 - PBA 02/325

- 1 Levelling anchorage stirrup in tubular steel
- 2 Depth-adjustable safety guard support
- 3 Safety microswitch main box 180° rotation n. 2 NC contacts
- 4 Horizontal adjustment clamp
- 5 Articulated arms in tubular steel
- 6 Rubbing articulation with friction disc
- 7 Shield-arm connection clamp in pressed steel
- 8 Shield structure in tubular steel
- 9 Thermo-formed shield in plastic shockproof and oil-resistant material

Code	A	B	Kg.
PFR 01/300/...	300	200	9,5
PFR 01/400/...	400	235	9,8
PFR 01/500/...	500	235	10,1
PFR 01/600/...	600	235	10,4

Multi-adjustable safety guard for universal mills

MILLS



PFR 02/625/...
PFR 02/730/...

Thanks to the proven system of rubbing articulated arms, it is the only one to be truly, versatile and manageable. Suitable for frequent changes of operation.

Protects the operator from direct contact with rotating parts of the vertical spindle and from the projection of shavings and lubricant-coolant. Attachable on the base flank, equipped with wide "visibility" shield and double opening system: 1 = Shield openable vertically with position-locking knob. 2 = "swinging" total of safety guard, outside field of work. Complete with double safety microswitch.

- **Note:** Specify the mounting side by adding the suffix: /DX = Right - /SX = Left
- **Available accessories:** PMG 60/185 - PBA 01/190 - PBA 01/325 - PBA 02/325 allowing a wide range of horizontal adjusting. Complete with safety microswitch.

- 1 Levelling anchorage stirrup in tubular steel
- 2 Depth-adjustable safety guard support
- 3 Safety microswitch main boxes 180° rotation n. 2 NC contacts
- 4 Horizontal adjustment clamp
- 5 Articulated arms in tubular steel
- 6 Rubbing articulation with friction disc
- 7 Angular junction for the vertical turnover of the shield
- 8 Shield opening unlocking knob
- 9 Shield structure in aluminium profile
- 10 Shield in plastic shockproof and oil-resistant material

Code	A	B	C	D	Kg.
PFR 02/625/...	620	250	170	405	10,4
PFR 02/730/...	725	300	200	430	10,9